



BOXTEC

CORE 5 POS

Modular 15.1" All-in-One POS



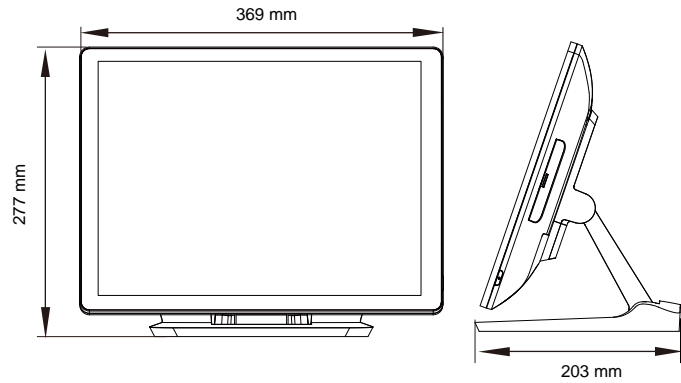
KEY FEATURES:

- Ergonomic and Stylish
- Easy Peripheral Connectivity
- Wall Mountable
- Superior Serviceability and Upgradability

FEATURES

- 15.1" True-Flat PCAP Touch
- Fanless and Silent
- Modular Design for Easy Serviceability
- High Flexibility with Foldable Stand
- MSR/ iButton/ Fingerprint Available
- 2nd Display and Customer Display Available

DIMENSIONS



SPECIFICATIONS

System	Motherboard	G35
	Processor	Intel® Alder Lake N Processor: N97 / i3-N305
	Memory	1 x DDR4 up to 8GB
	Storage	128GB SSD (M.2)
Display	Size and Resolution	15.1" 1024 x 768
	Touch Screen	True-Flat PCAP Multi-touch
Expansion	M.2 (E Key)	1
I/O Ports	USB Type-A	2 x USB3.0, 4 x USB2.0
	USB Type-C	1 x USB3.0 full-functioned (DP/PD 5V/3A, 12V/3A)
	Serial Port	3 x RJ48 (standard RS232) (default 0V; 5V,12V)
	LAN	1 x RJ45
	Cash Drawer	1 x RJ11
	FeDP	2 x Flytech proprietary miniDP (1 x for main display, 1x for 2nd display)
	DC Jack	1 x 4PIN (with latch)
Optional I/O	Powered USB	1 x Powered USB 12V, 1 x Powered USB 24V
Audio	Internal Speaker	1 x 3W (Option)
Indicator	Power Button	1
Power	Power Adapter	65W / 19V (120W/19V with 2 x PUSB 12V & 1 x PUSB 24V)
Communication	WLAN + BT	802.11 series + BT5.0 (Option)
Peripheral (option)	MSR	3-Track MSR (USB)
	Fingerprint	Fingerprint Reader (USB)
	iButton	iButton (USB)
	Customer Display	LCM display 2 x 20 characters (USB)
	2nd Display	11.6" 2nd display
Certificate	EMC & Safety	FCC Class A, CE Mark, LVD
Environment	Operating Temperature	0°C ~ 35°C (32°F ~ 95°F)
	Storage Temperature	-20°C ~ 60°C (-4°F ~ 140°F)
	Humidity	20% ~ 85% RH non-condensing
Dimensions	W x H x D	369 x 277 x 203 mm (14.2" x 10.9" x 8.0")
Weight		4.3 kg (9.5 lbs)
Mounting	VESA Mount	75 x 75, 100 x 100
OS Supported		Windows 10 IoT Enterprise, Linux, Android 13.0

※ PRODUCT SPECIFICATIONS AND DATA ARE SUBJECT TO CHANGE WITHOUT NOTICE ※