

# Cielo Enterprise 15"

## All-in-One 15" PoS Terminal



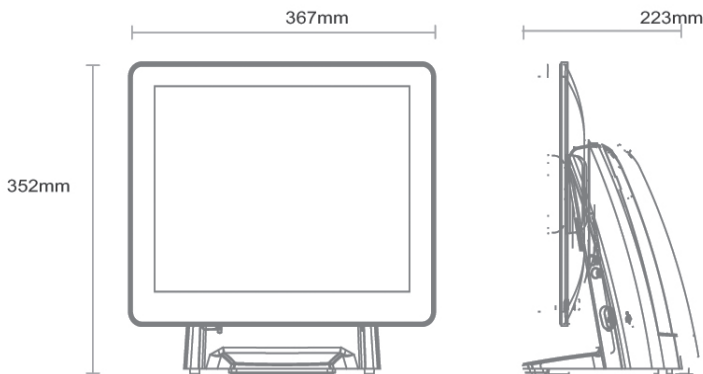
**Powerful, elegant and robust. Cielo Enterprise is the ultimate PoS terminal.**

With its elegant, slim splash-proof display, and sleek robust chassis residing on a neat and modest footprint, Cielo Enterprise is an obvious candidate for the high-end retailer, in search of elegance and unparalleled processing performance.

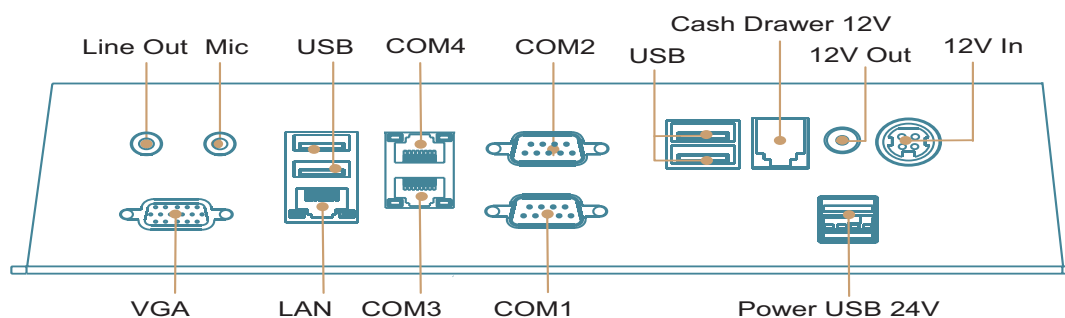
Available with an Intel Core™ i5 processor, Cielo Enterprise is able to handle complex, demanding data processing requirements.

**Features**

- Intel Core™ i5 powered - Cielo Enterprise is powered by an Intel Core™ i5 which is able to deliver exceptional processing speeds whilst remaining highly efficient.
- Optional peripherals - Cielo Enterprise can be enhanced with the inclusion of optional peripherals including magnetic stripe and RFID readers to name but a few.
- Easily upgradeable - Cielo Enterprise's hardware platform can be easily upgraded by swapping out key components such as the motherboard and HDD.



Specifications	
Display size / resolution	15" TFT-LCD/ 1024 X 768
Display brightness & touch screen	250 cd/m <sup>2</sup> (CCFL); 5-Wire Resistive Touch 350 cd/m <sup>2</sup> (LED) with Tempered Glass; Projective Capacitive Touch
Processor	Intel Core i5-2400S, 2.5GHz (vPro Optional)
System memory	4GB Standard, Maximum 8GB (1x204-pin DDR3)
Storage device	1 x 2.5" SATA HDD 320GB*
Chipset	Intel H61
Speaker	Internal Speaker 2W x 2
Construction	Aluminium Die-casting + Plastic + Glass
Housing colour	Black or White
Power supply	90W (12V / 7.5A) External Power Supply
Operating system	Windows XP, POSReady 2009, Windows 7, POSReady 7, Linux
Unit Dimensions (W x H X D)	367 x 352 x 223 mm
EMI / Safety	CE, FCC Class A
Operating Temperature	0°C - 40°C (32°F - 104°F)
Storage Temperature	-10°C - 55°C (14°F - 131°F)
Relative Humidity	10% - 90% (Non-condensing)
Identification Devices	Lockable rear access panel and lockable front access panels
Graphics	Intel™ GMA 3150
Speaker	Windows XP, WiPOS or Windows 7
I/O Ports	
Serial Ports	4 x External: COM1, COM2 (DB9), COM3, COM4 (RJ-45)
USB Port	5 x External (4 Rear + 1 Side)
Cash Drawer Port	1 x RJ11 (12V)
LAN Port	1 x RJ45 Gigabit
Audio Port	1 x Line Out
VGA Port	1 x VGA (HD15)
DC Output	1 x 12V DC Jack 2.5mm
Powered USB	1 x 24V Rear
Optional Peripherals	
Magnetic Stripe Card Reader	Integrated MCR Module (Single / Dual / Triple Track Selectable)
2nd Display	Integrated 11.6" or 15" LCD Display (Touch Screen Optional)
Customer Display	Integrated LCM / VFD Customer Display
Wireless LAN	Integrated 802.11 b/g/n Wireless Module
Identification Devices	RFID 13.56 MHz / Fingerprint Reader / i-Button



Box Technologies Head Office  
20 Thame Park Business Centre  
Wenman Road  
Thame, OX9 3XA  
United Kingdom  
T: +44 (0) 1844 264 000  
E: sales@boxtechnologies.com

Box Technologies Sweden  
Upplagsvägen 1, 4 tr  
117 43 Stockholm  
Sweden  
T: +46 (0) 8 120 80 320  
E: sales@boxtechnologies.se

Box Technologies Norway  
Torgbygget  
Nydalsveien 33  
0484 Oslo  
T: +47 22 18 26 35  
E: sales@boxtechnologies.se