

Cielo 17" Panel PC



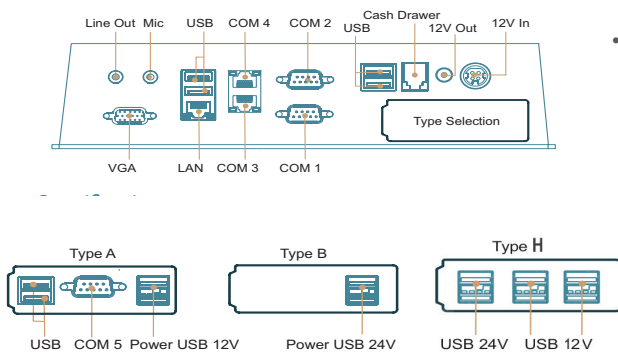
The new Cielo i is a sleek and very powerful bezel-free PC which may be wall or pole mounted allowing complete flexibility of how and where the EPOS system is positioned in-store.

Cielo i offers the store manager complete flexibility of choice as all of the componentry is inside the head of the unit. The Cielo i may be mounted at any angle or above the customer line-of-sight removing any barrier between check out staff and the customer. Cielo i offers a choice of processor from Celeron G540 up to an Intel Core i5.

Features

- One step quick replacement of key components for easy upgrades. The hardware platform may be easily upgraded by swapping key components such as the motherboard and hard disk drives.
- Device connectivity at either side. Additional devices such as mag-stripe reader, RFID button and fingerprint reader may be attached to either side of the unit.
- Flexible I/O connectivity for new peripherals. A second optional I/O slot is available which offers 5 types of I/O modules to meet the widest range of project and usage requirements.
- Flexible mounting options . A stand is provided however it is easily to remove, providing flexible mounting options to meet your individual retail needs.

I/O Interface



Model		Cielo i
Processor		Intel® Celeron® G540, 2.5GHz; Intel® Core i3-2120, 3.3GHz; Intel® Core i5-3550S, 3.0GHz
System Memory		2GB Standard, Maximum 8GB (1x204-pin DDR3)
Power Supply		150W (12V / 12.5A) External Power Supply Integrated with Base
Storage Device		2 x 2.5" SATA HDD (Optional RAID 1 Support)
Graphics		Intel® H61
Speaker		Internal Speaker 2W x 2
Construction		Aluminum Die-casting + SECC
Touch LCD Display		
Size / Resolution		17" TFT-LCD/ 1280 X 1024
Brightness (Backlight Type) & Touch Screen		250 cd/m2 (LED); 5-Wire Resistive Touch
		250 cd/m2 (LED); Projected Capacitive Touch
I/O Ports		
Serial Port		3 x Internal: COM 3 (LCM), COM A, COM B (Reserved)
		3 x External: COM 1, COM 2 (DB9), COM 4 (RJ-45)
USB Port		5 x Internal (1 Touch, 1 Wi-Fi, 3 Reserved), 6 x External (4 Rear + 2 Side)
Cash Drawer Port		1 x RJ11 (12V)
Keyboard / Mouse		1 x PS/2
LAN Port		1 x RJ45 Giga LAN
PCI Slot		1 x Mini PCI-e (Internal)
Audio Port / VGA Port / DC Output		1 x Line Out / 1 x VGA / 1 x 12V DC Jack 2.5 mm
Optional I/O Board		
Option 1	Printer Port	1 x Bi-directional Parallel port
Type Selection"	Type A	Serial Port: COM A & COM B (RJ45) with RI / 5V / 12V Selectable; DC Output: 1 x 24V; 1 x Mic In
	Type B (Special Requirements)	Serial Port: COM A & COM B (RJ45) with RI / 5V / 12V Selectable; DC Output: 1 x 24V; 1 x Mic In
	Type C	Serial Port: COM A & COM B (RJ45) RI / 5V / 12V Selectable; Powered USB Port: 1 x 12V; 1 x Mic In
	Type D (Special Requirements)	Powered USB Port: 1 x 12V & 1 x 24V; 1 x Mic In
	Type G (Special Requirements)	Powered USB Port: 3 x 12V
	Type H	Powered USB Port: 2 x 12v , 1 x 24v
OS Supported		
Windows		Windows XP, POSReady 2009, Windows 7, POSReady 7, Windows 8
Linux		Per Request
Physical Dimensions		
Dimensions (W x H x D)		410 x 332 x 75 mm (Without Stand), 410 x 350 x 213 mm (With Stand)
Environment		
EMI / Safety		CE, FCC Class A
Operating Temperature		0°C ~ 40°C (32°F ~ 104°F)
Storage Temperature		-10°C ~ 55°C (14°F ~ 131°F)
Relative Humidity		10% ~ 90% (Non-condensing)
Optional Peripherals		
Magnetic Stripe Card Reader		Integrated MCR Module (Single / Dual / Triple Track Selectable)
Customer Display		Integrated LCM / VFD Customer Display
Wireless LAN		Integrated 802.11 b/g/n Wireless Module
Identification Devices		RFID 13.56 MHz / Fingerprint Reader / i-Button



Box Technologies Head Office
20 Thame Park Business Centre
Wenman Road
Thame, OX9 3XA
United Kingdom
T: +44 (0) 1844 264 000
E: sales@boxtechnologies.com

Box Technologies Sweden
Upplagsvägen 1, 4 tr
117 43 Stockholm
Sweden
T: +46 (0) 8 120 80 320
E: sales@boxtechnologies.se

Box Technologies Norway
Torgbygget
Nydalsveien 33
0484 Oslo
T: +47 22 18 26 35
E: sales@boxtechnologies.se