

SecurePlus Flip Lid

Security at the point of sale is becoming increasingly vital to all retailers. Cash Bases have recognised this need and developed the SecurePlus portfolio, which ensures that both checkout staff and cash are protected.

DESCRIPTION

A robust, durable, compact cash drawer that has been designed to withstand excessive forced entry.

FEATURES

- Robust steel construction
- Drawer status micro switch
- Heavy duty latching mechanism
- Steel face plate
- Radial pin tumbler lock
- Bolt down facility in base

OPTIONS

- Wide range of plastic or steel inserts
- Floppy note dividers to maximize note storage
- Fixed or removable coin cups
- Coin cups suitable for weigh counting
- Anti grab flap over the note compartment
- Media posting slot
- Lockable lid for the insert
- No lock
- Base plate for secure fixing + quick release
- Stainless steel finish for the lid

SPECIFICATION

FL-460

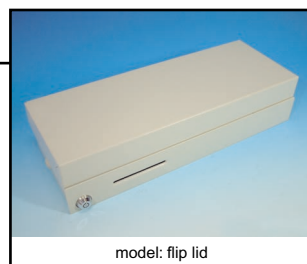
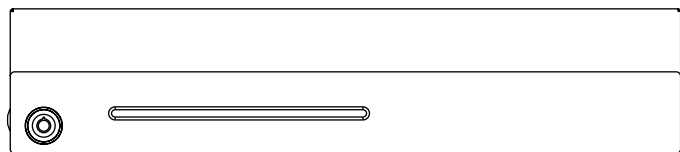
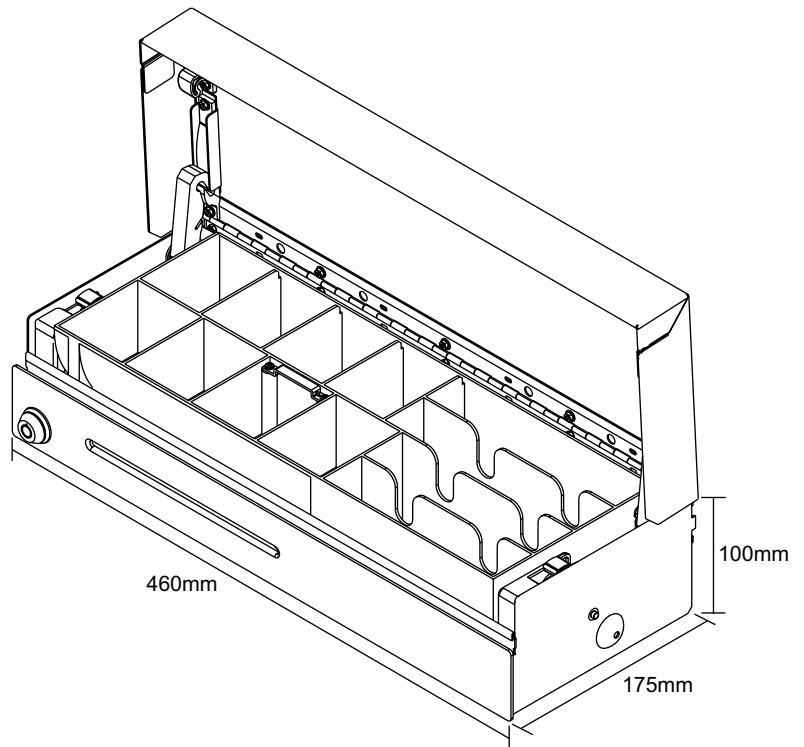
- Width: 460mm
- Depth: 175mm
- Height: 100mm
- Weight moulded insert: 5kg
- Weight universal insert: 7kg

FL-490

- Width: 490mm
- Depth: 175mm
- Height: 110mm

IDEAL FOR

- Supermarkets
- Hypermarkets
- Petrol Forecourts



UK/SP-FLIPLID/0603

Specification may be subject to change without notification



SECUREPLUS

CASH BASES LTD ■ NEWHAVEN, EAST SUSSEX BN9 0LA ■ UK ■ www.cashbases.net
 TEL: +44 [0] 1273 616300 ■ FAX: +44 [0] 1273 512010 ■ EMAIL: sales@cashbases.co.uk